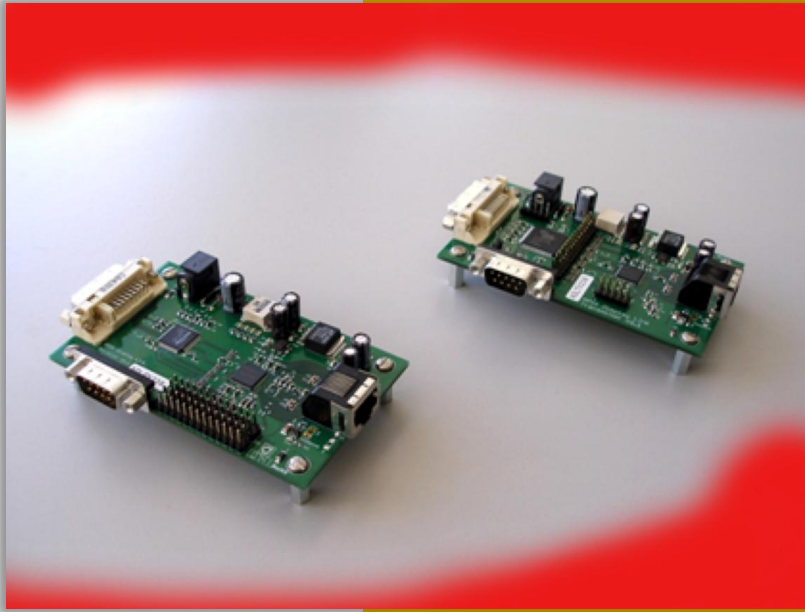




# APIX® Demonstration Kit with Power over APIX (PoA)



**Replaces 3 cables with just ONE!**

**Video, Full Duplex Communication and Power  
over 4 wires only – up to 15m Distance**

The integrated board solution offers uncompressed, long-distance transmission of

- Digital Video up to SVGA resolution
- RS232
- Power over APIX (save additional power cord)  
over conventional CAT5e-cables or Automotive Leoni / HSD cables.

The set of boards (Transmitter and Receiver) is prepared for the adaptation to Displays or electronic Equipment with DVI interface. For industrial applications the 18 bit TTL RGB interfaces on both ends allows to directly connect small-scale LCD-Displays, Industrial or Medical remote terminals. DVI or TTL RGB interfaces on both the Transmitter or Receiver side are possible.



**Part Number: APIX\_ADK\_RJ (Industrial)  
APIX\_ADK\_HSD (Automotive)**

*(for ordering)*



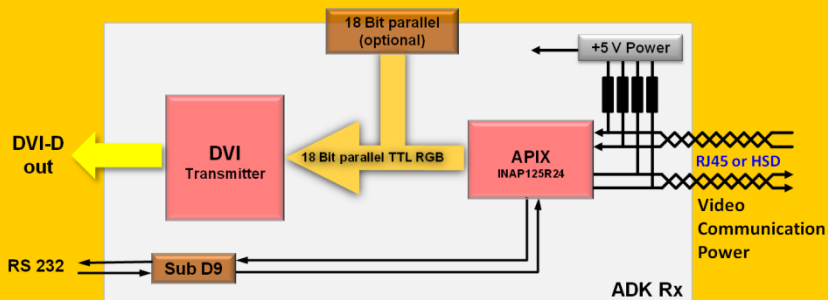
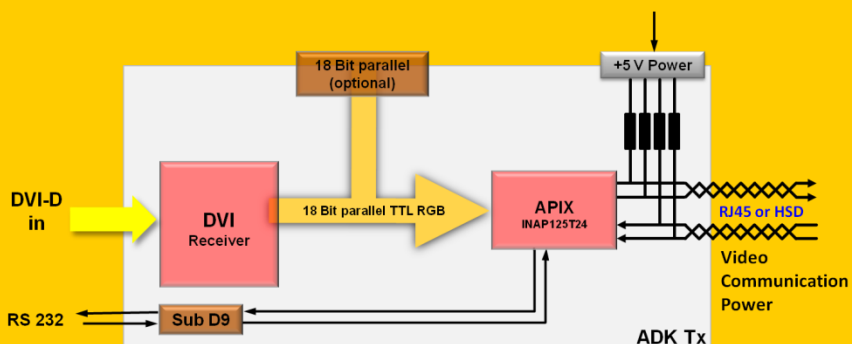
## Technical Details

### Feature Set Tx-Board:

- Video Resolutions: up to SVGA (VESA) and 1280x480 Automotive
- Video Interfaces: DVI-D and 18 Bit RGB TTL
- RS232 interface
- Long-Distance Link Cable Connector: RJ45 or HSD
- Single Power Supply +5V
- 103 mm x 61 mm

### Feature Set Rx-Board:

- Video Resolutions: up to SVGA (VESA) and 1280x480 Automotive
- Video Interfaces: DVI-D and 18 Bit RGB TTL
- RS232 interface
- Long distance cable connector: RJ45 or HSD
- Powered over APIX Link (PoA)
- 103 mm x 61 mm



## APIX Applications

- Central Information Displays
- Automotive Dashboards
- Rear-Seat Infotainment Systems
- Head-Up Displays
- Remote Industrial Displays
- Medical Displays
- Lane Departure Warning Camera
- Sign Recognition Camera
- Round view systems
- Rear View Camera
- Stereo Cameras

## Set content:

- Transmitter and Receiver Board
- Power supply (wall plug)
- 10m CAT5e cable or 5m HSD with Leoni Dacar 538 cable
- Schematics & Layout Documentation

## Inova Semiconductors GmbH

Grafinger Str. 26  
D-81671 München / Germany  
Tel. +49 / 89 / 45 74 75 – 60

[www.inova-semiconductors.de](http://www.inova-semiconductors.de)  
[info@inova-semiconductors.de](mailto:info@inova-semiconductors.de)