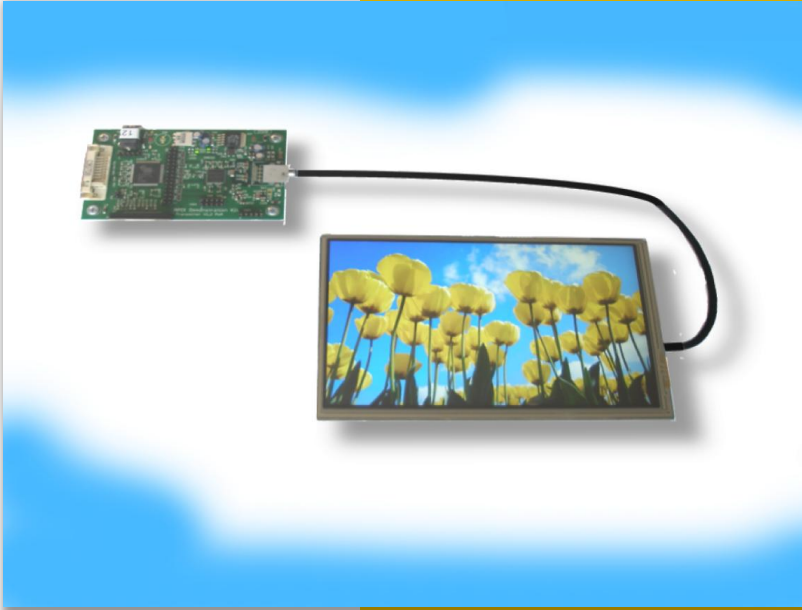




# APIX® Touch Screen Kit with Power over APIX (PoA)



**Replaces 3 cables with just ONE!**

**Video, Touch Control and Power over 4 wires only – up to 15m Distance**

The integrated board solution offers uncompressed, long-distance transmission of

- Digital Video to a 7" 800x480 FPD
- RS232 over APIX for touch screen control
- Power over APIX for FPD, backlight and touch controllers over conventional CAT5e-cables or Automotive Leoni / Rosenberger HSD cables.

The transmitter board can be connected to electronic equipment with a DVI interface such as an embedded PC for Video and RS232 for touch control. The receiver board with the FPD panel includes also backlight and touch control.

Driver Software included



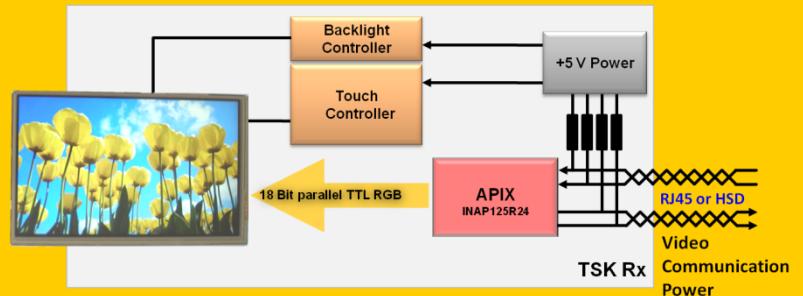
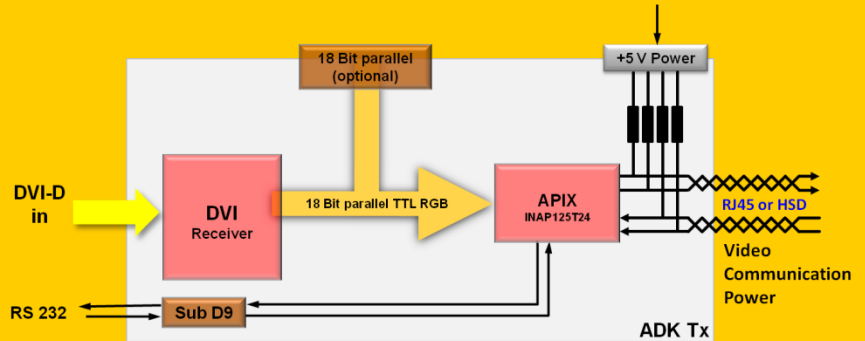
## Technical Details

### Feature Set Tx-Board:

- Video Resolution: 800x480x18 Bit
- Video Interfaces: DVI-D and 18 Bit RGB TTL
- RS232 interface
- Long-Distance Link Cable Connector: RJ45 or Rosenberger HSD
- Single Power Supply +5V
- 103 mm x 61 mm

### Feature Set Display unit:

- 7" FPD panel 800x480 with Touch Screen
- Backlight Control
- Touch Controller
- Long distance cable connector: RJ45 or Rosenberger HSD
- Powered over APIX Link (PoA)



## APIX Applications

- Remote Touch Screens
- Industrial Control Displays
- Machine Control Systems
- Embedded PCs with Touch Screens
- Remote Industrial Displays
- Medical Displays
- Reference Systems

## Set content:

- Transmitter board
- FPD panel with Receiver Board, backlight and touch controller
- Power supply (wall plug)
- 10m CAT5e cable or 5m Rosenberger HSD with Leoni Dacar 538 cable
- DVI cable
- Schematics & Layout Documentation
- Software CD

## Inova Semiconductors GmbH

Grafinger Str. 26  
D-81671 München / Germany  
Tel. +49 / 89 / 45 74 75 – 60

[www.inova-semiconductors.de](http://www.inova-semiconductors.de)  
[info@inova-semiconductors.de](mailto:info@inova-semiconductors.de)