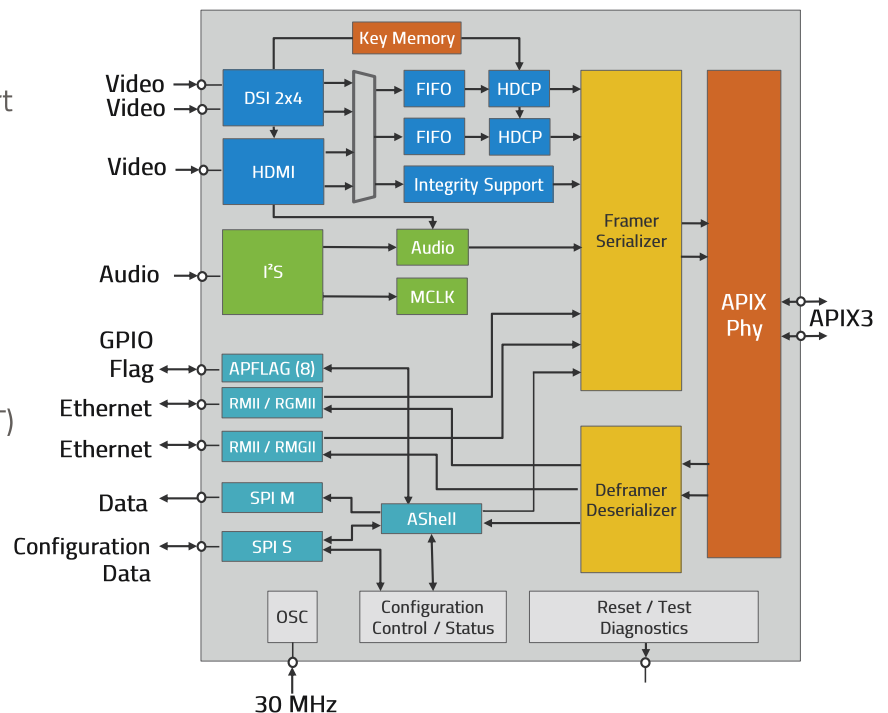


INAP562T, INAP592T

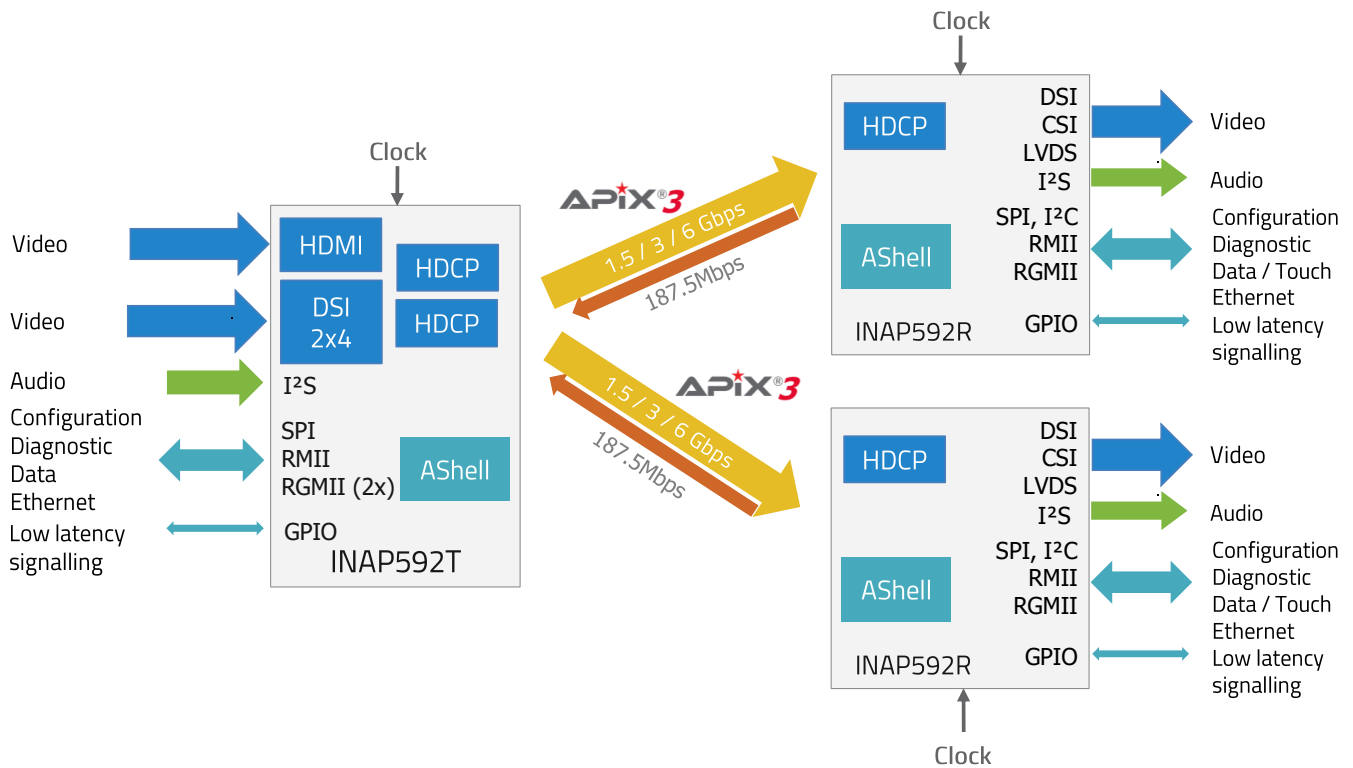
Twin APIX3 Transmitter w. HDMI and DSI video input

FEATURES

- Physical Layer
 - 6, 3 or 1.5 Gbps downstream
 - Support of 12 Gbps dual lane link
 - 6+6 Gbps, 3+3 Gbps, 1.5 + 1.5 Gbps
 - 187.5Mbps upstream
 - Automatic link training
- Supports STP (Shielded Twisted Pair), QSTP or Coax cables
- Support to drive 2 receivers simultaneously
- Two Video Channels
 - Uncompressed video transmission up to 3840x1080 30bit @60Hz or 2x2880x1080 24bit@60Hz
 - 2 x VESA DSC compressed video up to 4K
 - Supports 18/24 or 30-bit color depth
 - Video integrity support
- HDMI 1.4a video interface with 3D Support
 - Support for DP++ connectivity
- Dual MIPI DSI 1.2 video interface (2x4)
 - DPHY 1.2 up to 1.5 Gbps/lane
 - Support for combined 2x4 operation (odd/even) to support large videos
 - Support for VESA DSC tunneling
- 2 HDCP 1.4 encryption engines (INAP592T)
 - Source encryption or repeater
- Full-duplex communication channels for Data, Ethernet or GPIO
 - 2 MII/RMII/RGMII Ethernet interfaces
 - 10/100 Mbps support
- Dual SPI data interfaces
- Up to 4 GPIO Flags per receiver for protected signaling over AShell (APFLAG)
- Embedded AShell protocol data protection layer
- Support for Audio over HDMI
- I²S Audio interface
 - Supports 16/24/32 Bit word length
 - Supports up to 192kHz sampling
 - TDM support for up to 8 channels
- Diagnostic Features:
 - Built-in PRBS generator and checker
 - Continuous link monitoring
- APIX2 backward compatible



CONNECTIVITY FOR AUTOMOTIVE LIGHT & VISION



TEMPERATURE QUALITY

- -40°C to +105°C
- AEC -Q100

DESERIALIZER

- INAP562R, INAP592R
- INAP375R, INAP395R
- Indigo 2 / Indigo 3 / Indigo 3L (Socionext)

APPLICATIONS

- Infotainment Systems
- Head Units
- Head Up Displays
- Multimedia Gateways
- Central Information Displays
- Instrument Clusters
- Rear-Seat Entertainment Systems
- Console Display

Part Number	Package	Pack Size	HDCP
INAP562TAQ-T	151 aQFN	176 / Tray	
INAP562TAQ-R2	151 aQFN	2000 / Reel	
INAP592TAQ-T	151 aQFN	176 / Tray	yes
INAP592TAQ-R2	151 aQFN	2000 / Reel	yes